

**Made to Order
Free Design/Layout Services**

YOUR LOGO	Your Name Here			PERFORMANCE		
	Address Here			GPM	PSI	ENGINE RPM
Phone Number Here						
S.O. NO.	5490	1251	152 PSI	1569		
PUMP BY		1251	166 PSI	1628		
CAPACITY	1250	881	202 PSI	1745		
TYPE	CSYBX	626	251 PSI	1931		
MOTOR NO.	CAT C-7	GOVERNOR SPEED		2500 RPM		
SERIAL NO.	SAP00132	GEAR RATIO		1:2.03		

**Size B Bezel
Assembly / Kit**

Label: 5.21" x 2.12"
Bezel: 5.75" x 2.85"



**Round Cap
Polydomed
Labels**



**Size D Bezel
Assembly / Kit**

Label: 1.88" x 3.13"
Bezel: 2.44" x 3.56"



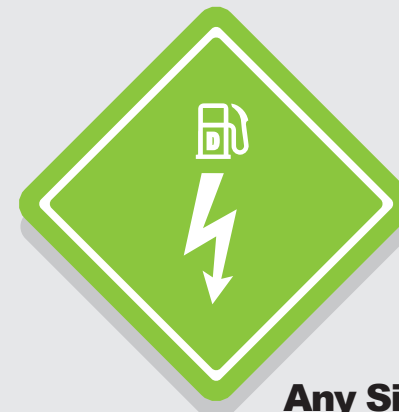
**Size E Bezel
Assembly / Kit**

Label: 3.48" x 3.48"
Bezel: 4.00" x 4.19"



**Size A Bezel
Assembly / Kit**

Label: 6.60" x 2.72"
Bezel: 7.25" x 3.50"



**Any Size
or Shape
Labels**

WARNING

Crush Hazard.
Do Not Modify This
Prop Support.
Stay Clear Of
Unsupported Raised
Vehicle Cab.
Serious Injury Or
Death May Result.

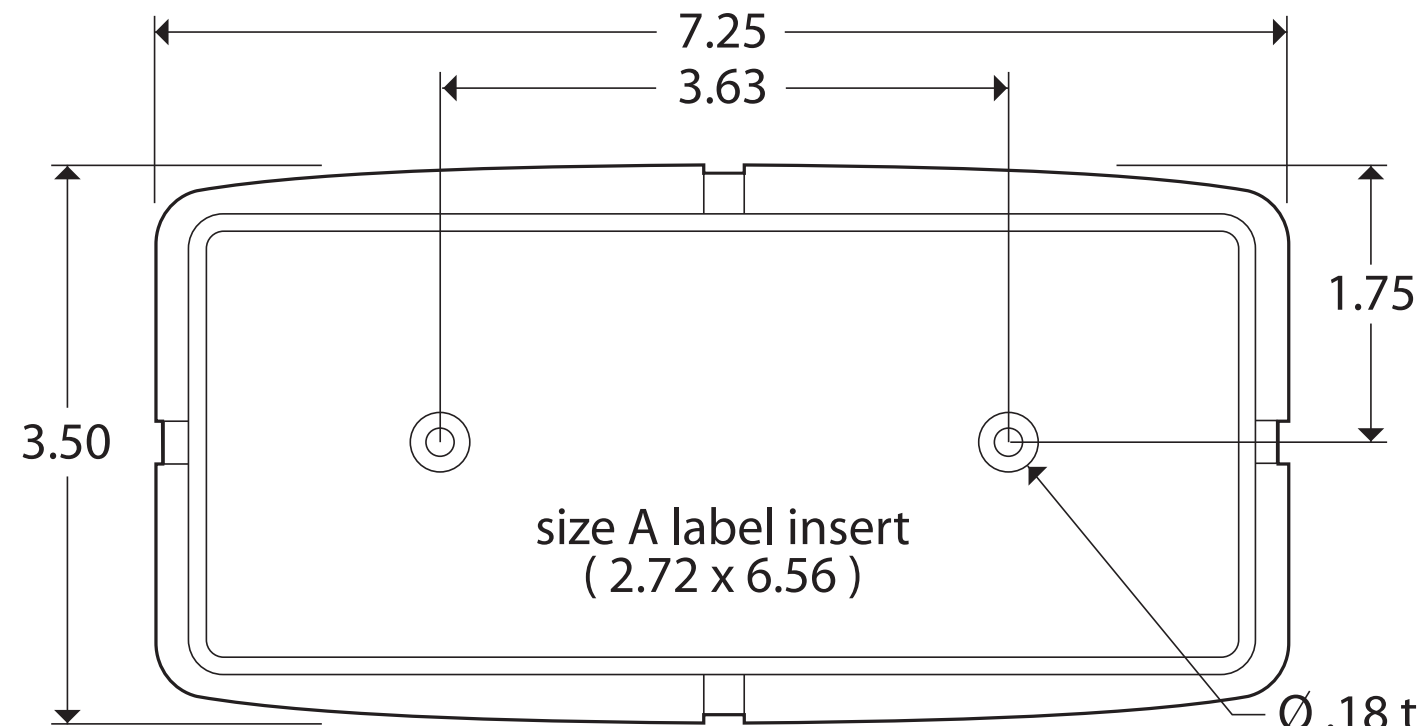


**Size C Bezel
Assembly / Kit**

Label: 2.06" x 0.84"
Bezel: 2.42" x 1.30"

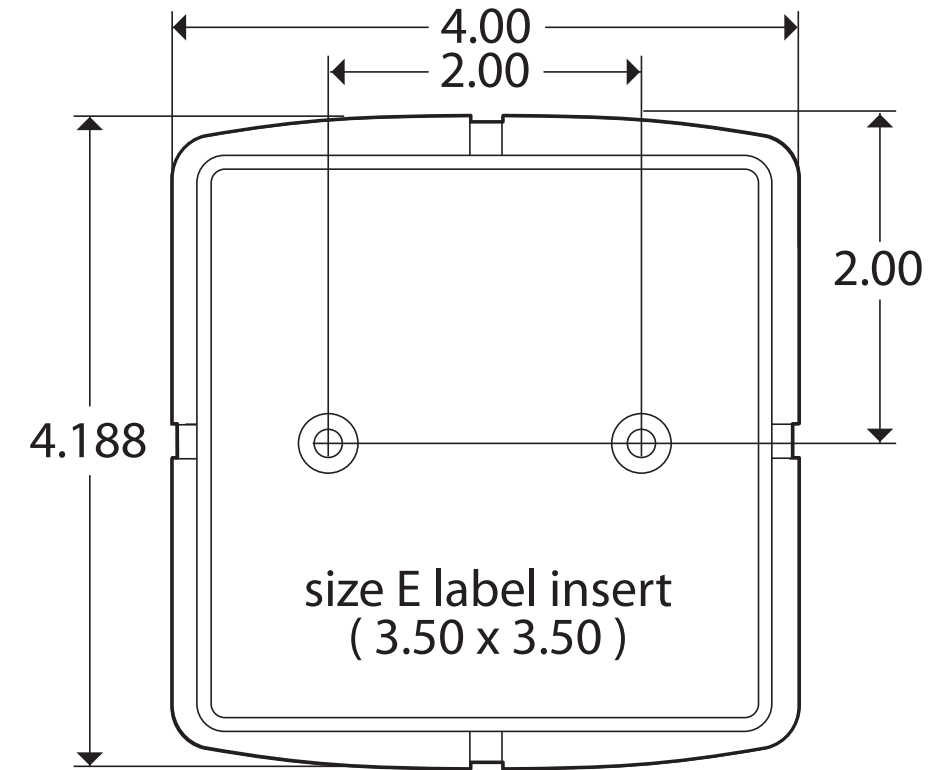
**Custom Message Bezels, Labels and
Bezel Assemblies**



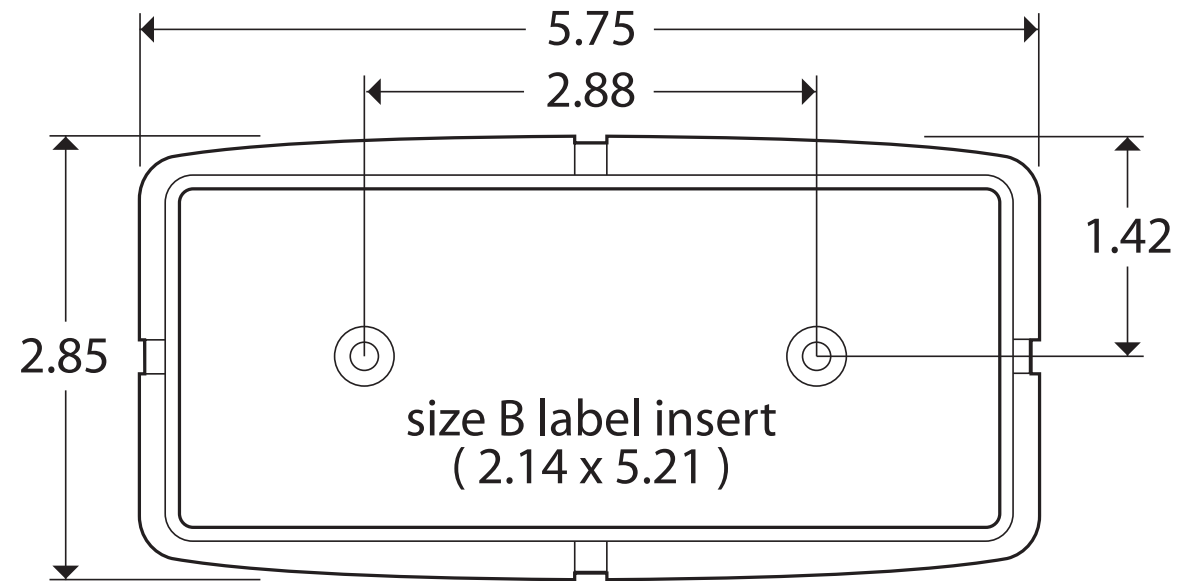


size A bezel

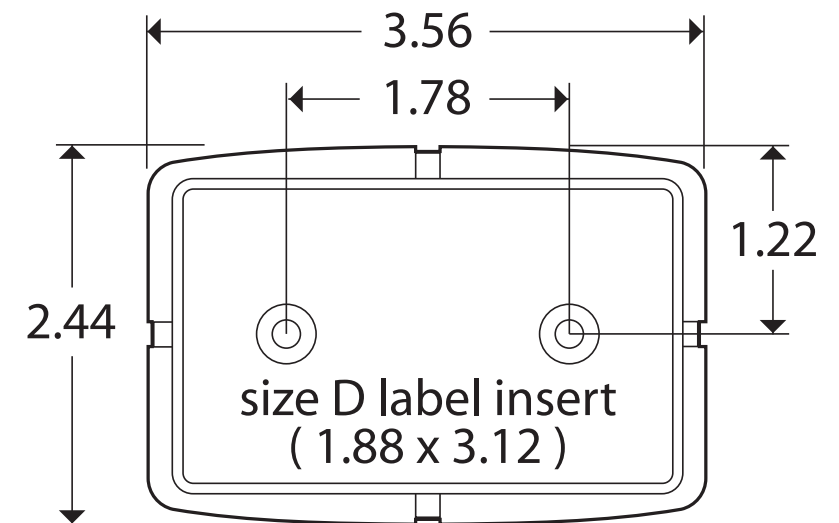
✓82° to Ø .38
TYP.



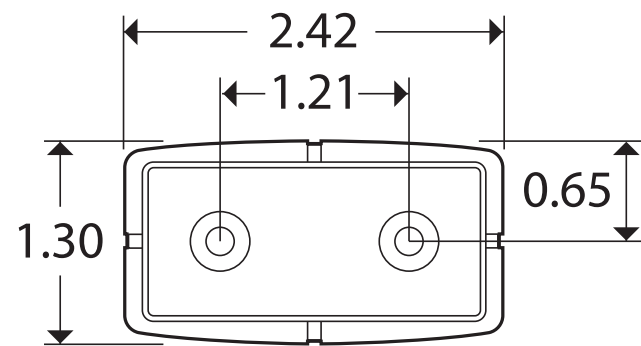
size E bezel



size B bezel



size D bezel



size C bezel