



Date Originated: 8/14/23

Revision: A

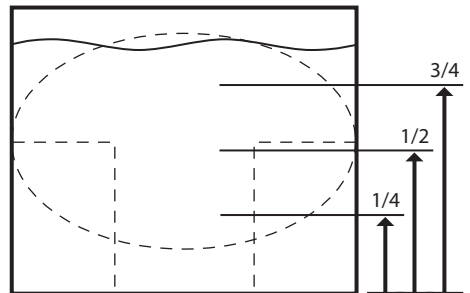
Revision Date:

Subject: MC Level Monitor Cutting, Calibration and Installation Instructions

Part 1: Cutting and Calibrating Probe

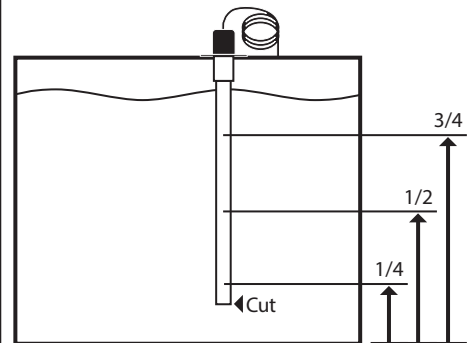
Step 1

Determine the 1/4, 1/2, and 3/4 levels of the tank. T-shaped, elliptical, or cylindrical tanks may require volume calculations to accurately determine these levels.



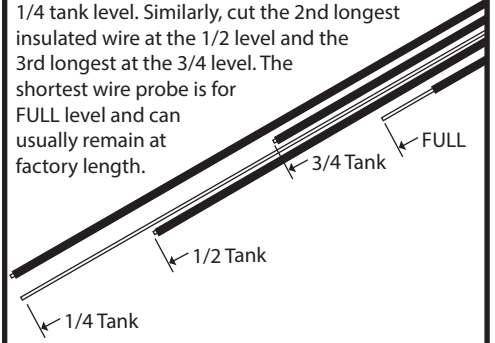
Step 2

Cut the PVC tube so that when placed in the tank it extends about 2 inches below the 1/4 tank level.



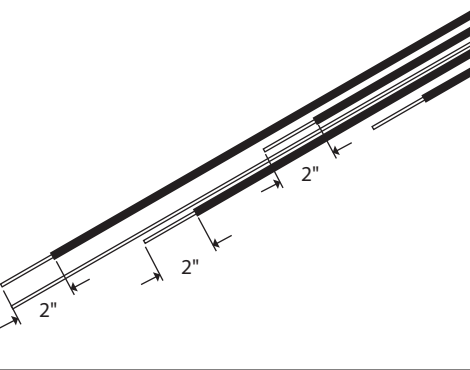
Step 3

Cut both the uninsulated stainless steel wire and the longest insulated wire probe to extend to the 1/4 tank level. Similarly, cut the 2nd longest insulated wire at the 1/2 level and the 3rd longest at the 3/4 level. The shortest wire probe is for FULL level and can usually remain at factory length.



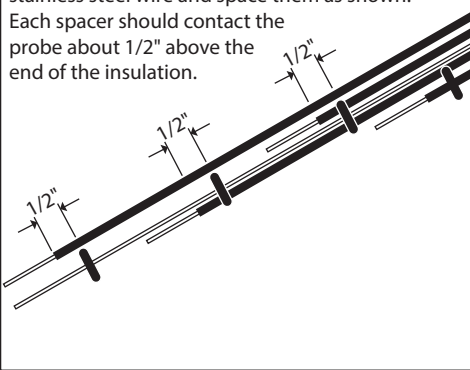
Step 4

Wire strip 2" of the insulation off of each probe.



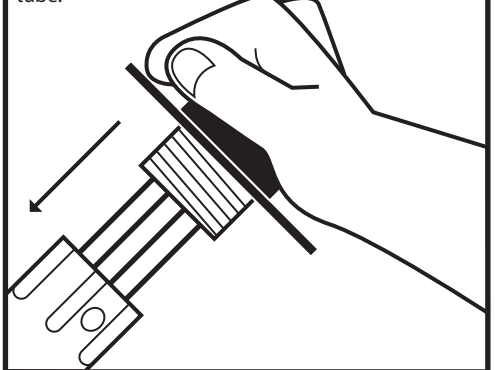
Step 5

Place 4 rubber spacers onto the uninsulated stainless steel wire and space them as shown. Each spacer should contact the probe about 1/2" above the end of the insulation.



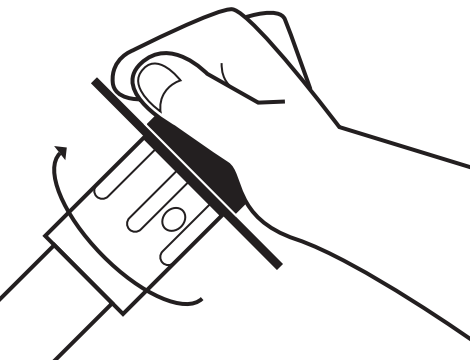
Step 6

Carefully install electrode assembly into PVC tube.



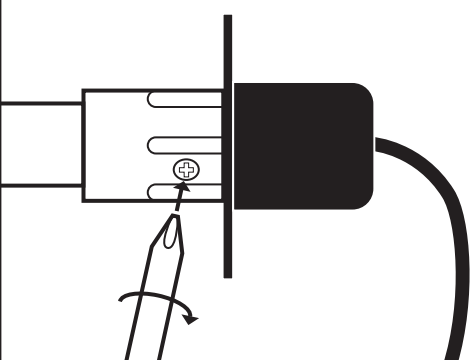
Step 7

Grasp black cap firmly and screw the probe cover onto PVC probe housing tube.



Step 8

Tighten retaining screw on cover using a Philips head screw driver.



Part 2: MC System Installation on Back