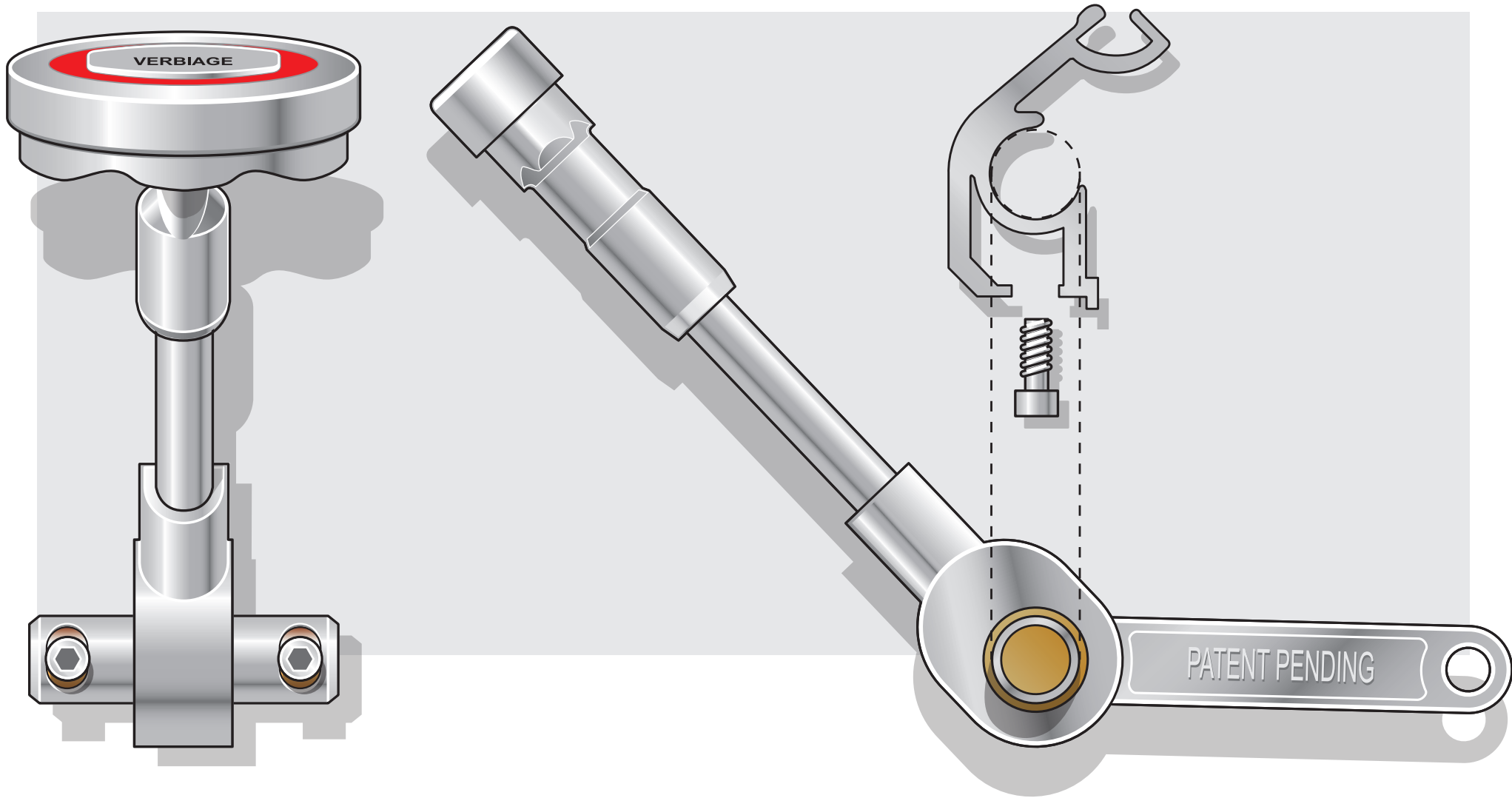


**Innovative Controls Inc.**  
**Top Mount Valve Control**



**Innovative Controls**  
**Top Mount Valve Control Assembly**



**IC Bid Specifications**

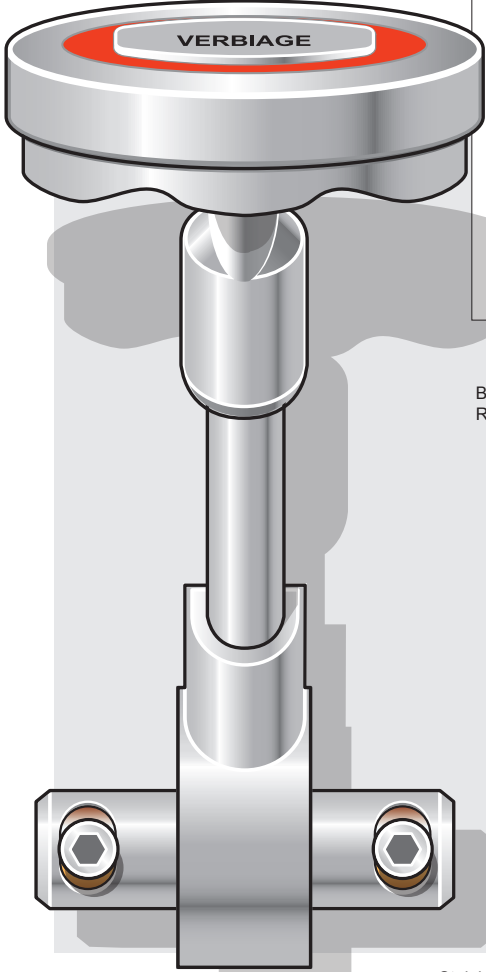
Date Originated:	Revision:	Revision Date:	Standard No.:

**Subject:**

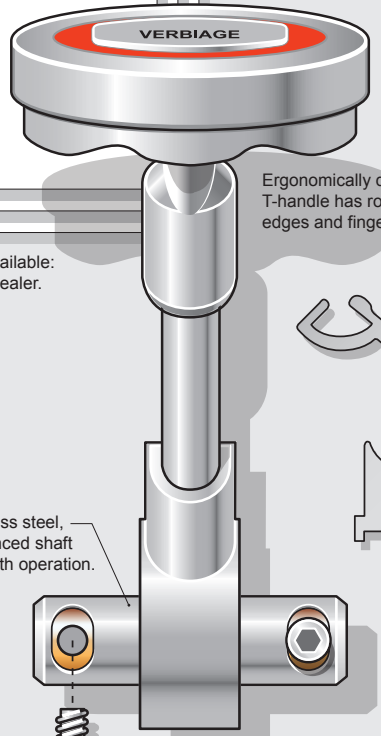
**Top Mount Valve Control**

For valve activation, the appropriate pump panel shall be equipped with Innovative Controls Top Mount Valve Control. This ergonomically designed T-handle shall be polished stainless steel with functional details for color coding and verbiage. The patented auto-locking control rod and gear housing shall be polished stainless steel and provide a true positive lock that will eliminate valve drift. These and Teflon impregnated bushings and bearings rod deflection, never need lubrication, and ensure consistent long-term operation.

Location of side mount push-pull valve controls shall be:



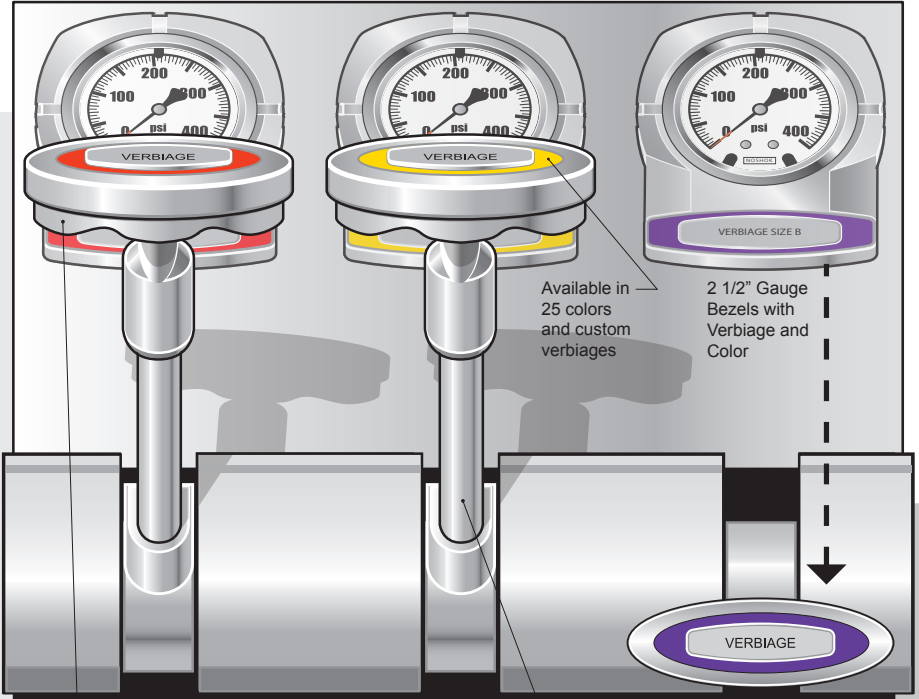
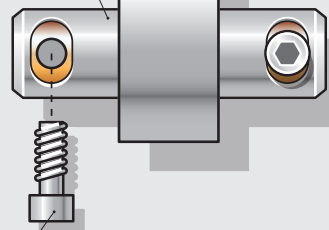
Pressure gauges with bezels also available from IC.



Ergonomically designed T-handle has rounded edges and finger grips

Bid specifications available. Request from your dealer.

Robust stainless steel, closely-toleranced shaft ensures smooth operation.



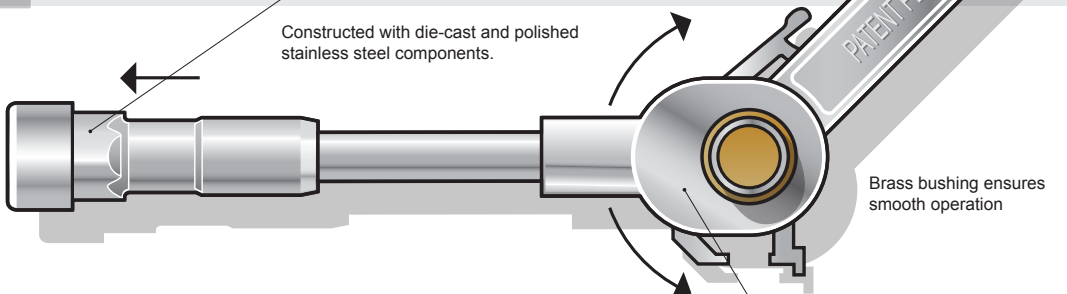
Available in 25 colors and custom verbiages

2 1/2" Gauge Bezels with Verbiage and Color

When squeezed, the lower spring-loaded portion of the T-handle releases the auto-lock mechanism to allow valve rod to pivot. The valve control automatically locks in place when T-handle is released

Outer rod contains internal pull rod

Stainless steel cap screws bolt into floating brass bushings when mounting the control assembly to the aluminum extrusion. The floating bushings allow the handle to be adjusted and aligned with other valve control handles in the row.



Constructed with die-cast and polished stainless steel components.

Brass bushing ensures smooth operation

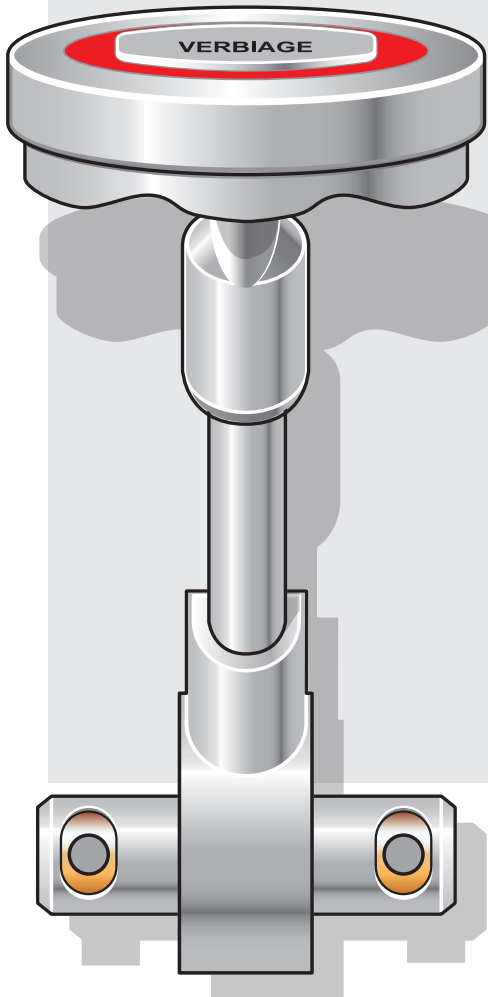
Robust Die-cast housing contains auto-lock mechanism

**Innovative Controls Inc  
Top Mount Valve Control Assembly**

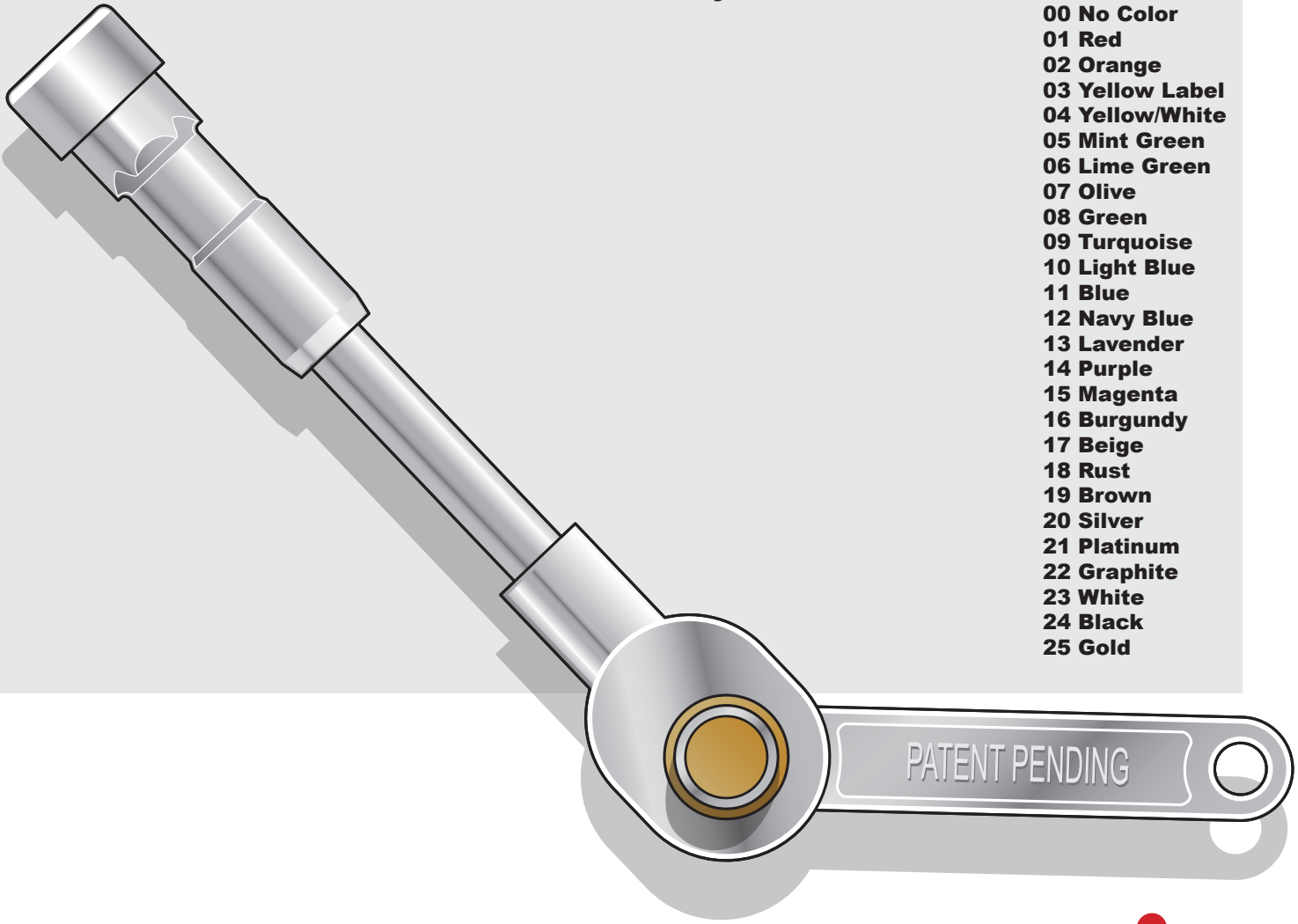


# 3000988-XX

**Control Handle Assembly**



**Control Assembly**

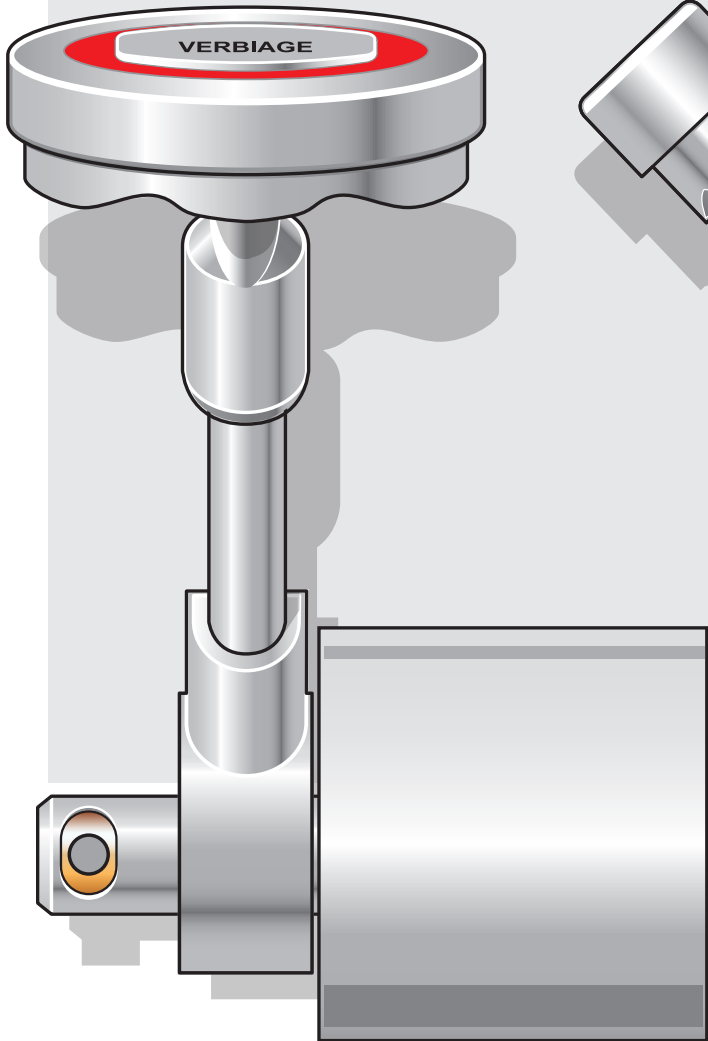


- Color**
- 00 No Color
  - 01 Red
  - 02 Orange
  - 03 Yellow Label
  - 04 Yellow/White
  - 05 Mint Green
  - 06 Lime Green
  - 07 Olive
  - 08 Green
  - 09 Turquoise
  - 10 Light Blue
  - 11 Blue
  - 12 Navy Blue
  - 13 Lavender
  - 14 Purple
  - 15 Magenta
  - 16 Burgundy
  - 17 Beige
  - 18 Rust
  - 19 Brown
  - 20 Silver
  - 21 Platinum
  - 22 Graphite
  - 23 White
  - 24 Black
  - 25 Gold

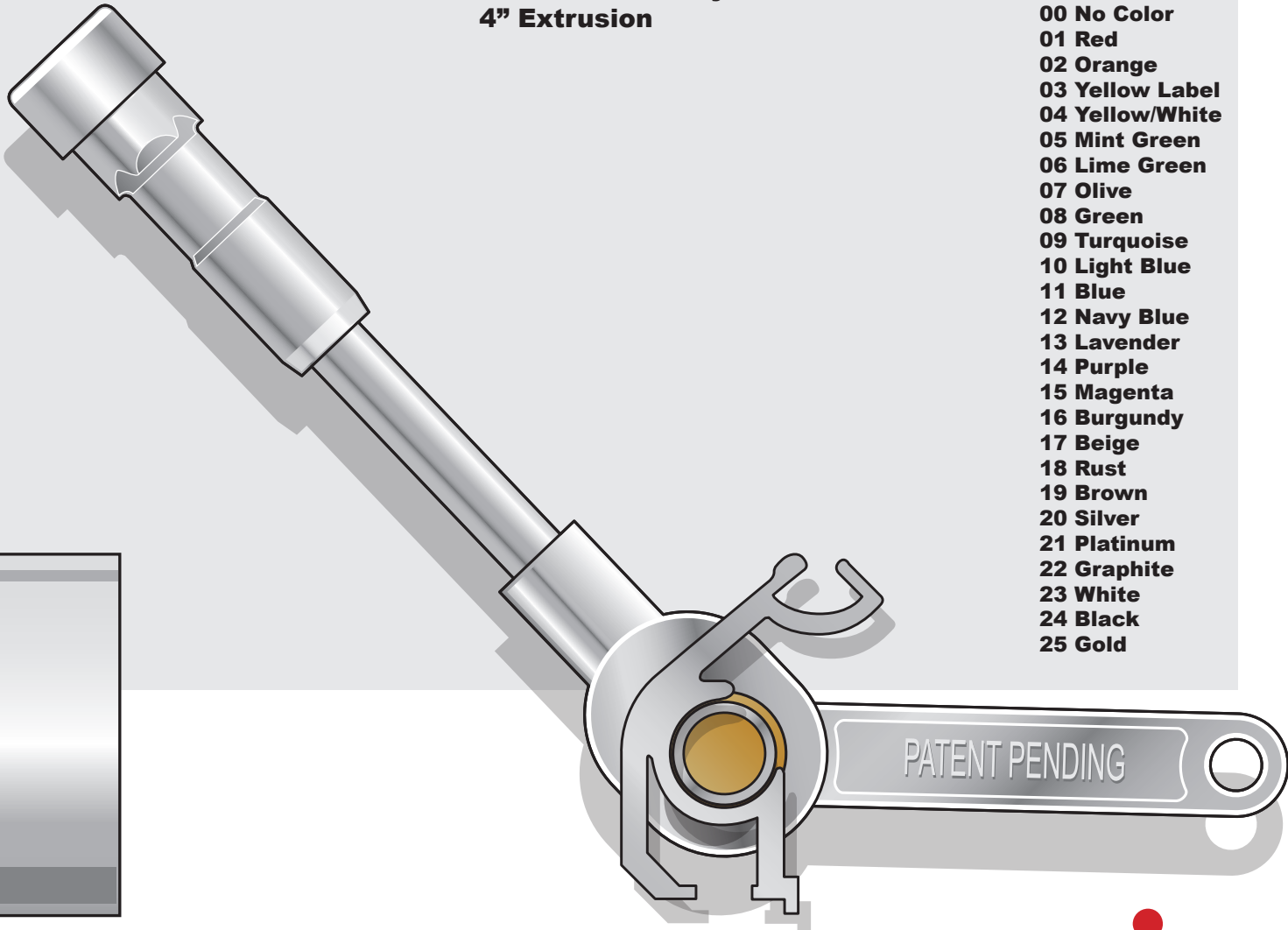


# 3040312-XX

**Control Assembly Kit**



**Control Assembly and  
4" Extrusion**

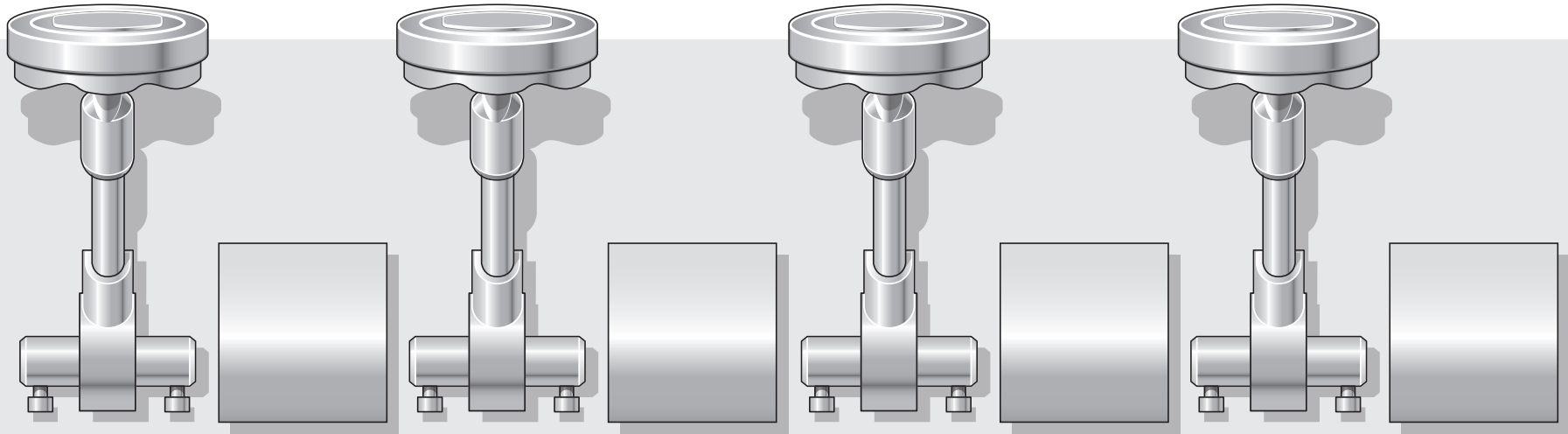


- Color**
- 00 No Color
  - 01 Red
  - 02 Orange
  - 03 Yellow Label
  - 04 Yellow/White
  - 05 Mint Green
  - 06 Lime Green
  - 07 Olive
  - 08 Green
  - 09 Turquoise
  - 10 Light Blue
  - 11 Blue
  - 12 Navy Blue
  - 13 Lavender
  - 14 Purple
  - 15 Magenta
  - 16 Burgundy
  - 17 Beige
  - 18 Rust
  - 19 Brown
  - 20 Silver
  - 21 Platinum
  - 22 Graphite
  - 23 White
  - 24 Black
  - 25 Gold

**Innovative Controls Inc  
Top Mount Valve Control Assembly**



**Kit No. 3040312**



**Kit Includes:**  
**Top Mount Valve Control Assemblies**  
**4" Lengths of Extrusion (P/N 3040310)**

**P/N 3040311**

**4ft. Length of Extrusion**

**Innovative Controls Inc**  
**Top Mount Valve Control Assembly Kit**

