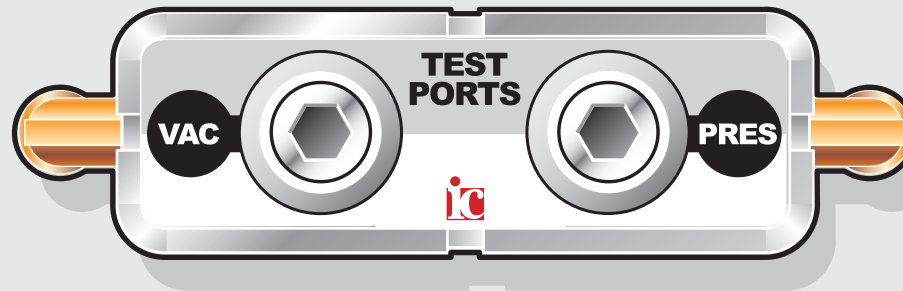
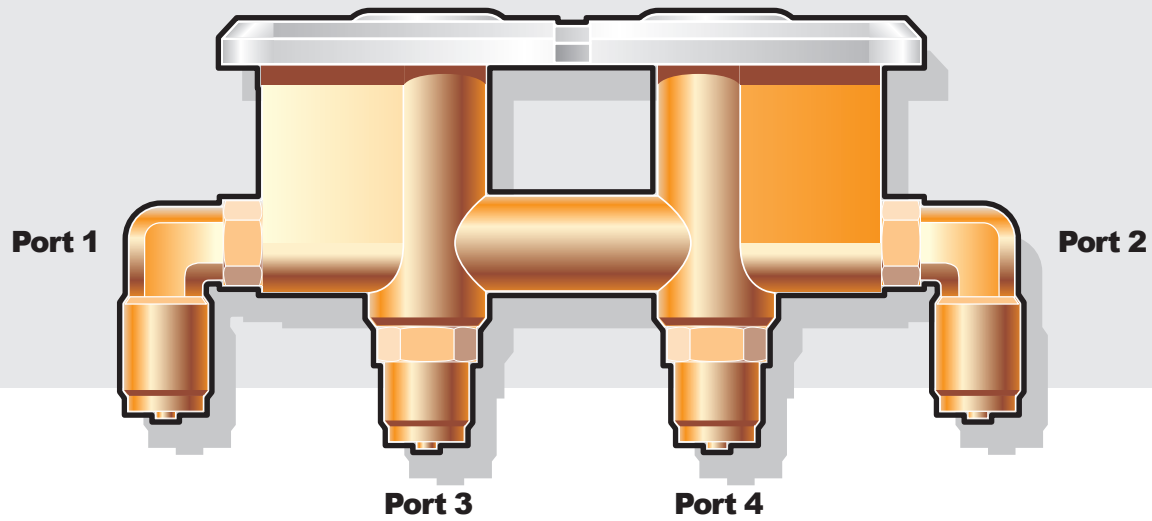


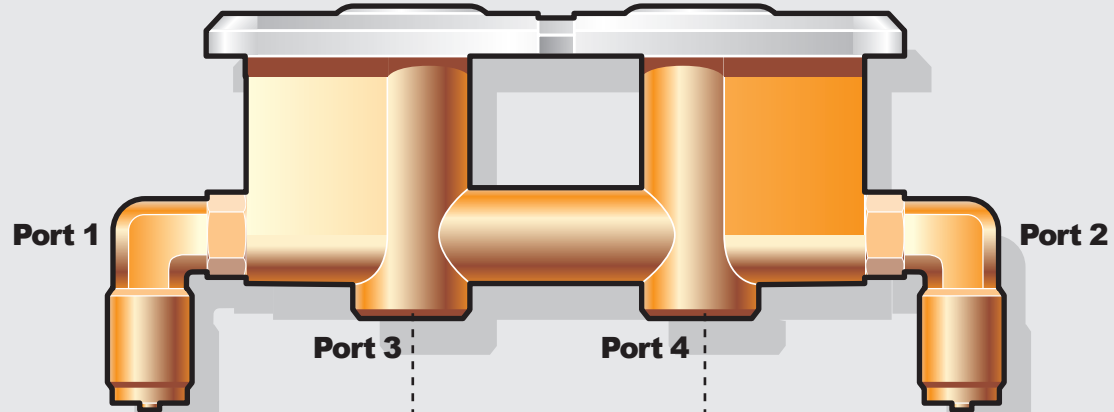
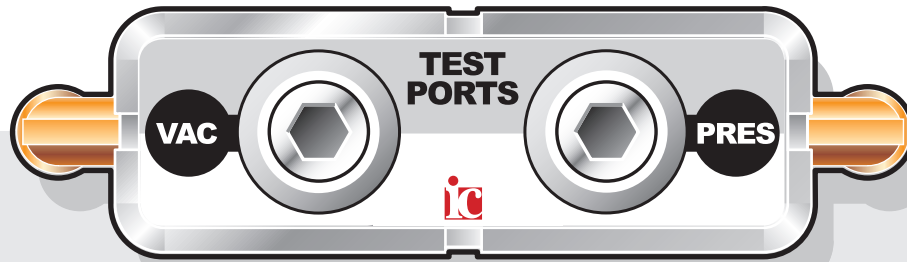
Innovative Controls Inc.
Test Gauge Manifold



P/N 3070069-01

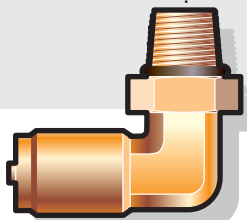


Horizontal Manifold with Two 90° Swivel and Two Straight Fittings

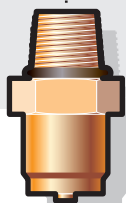


SAE Accessories

Customize assembly
with any style SAE
fitting in ports 1-4



P/N 30700168



P/N 3070169



P/N 3070173



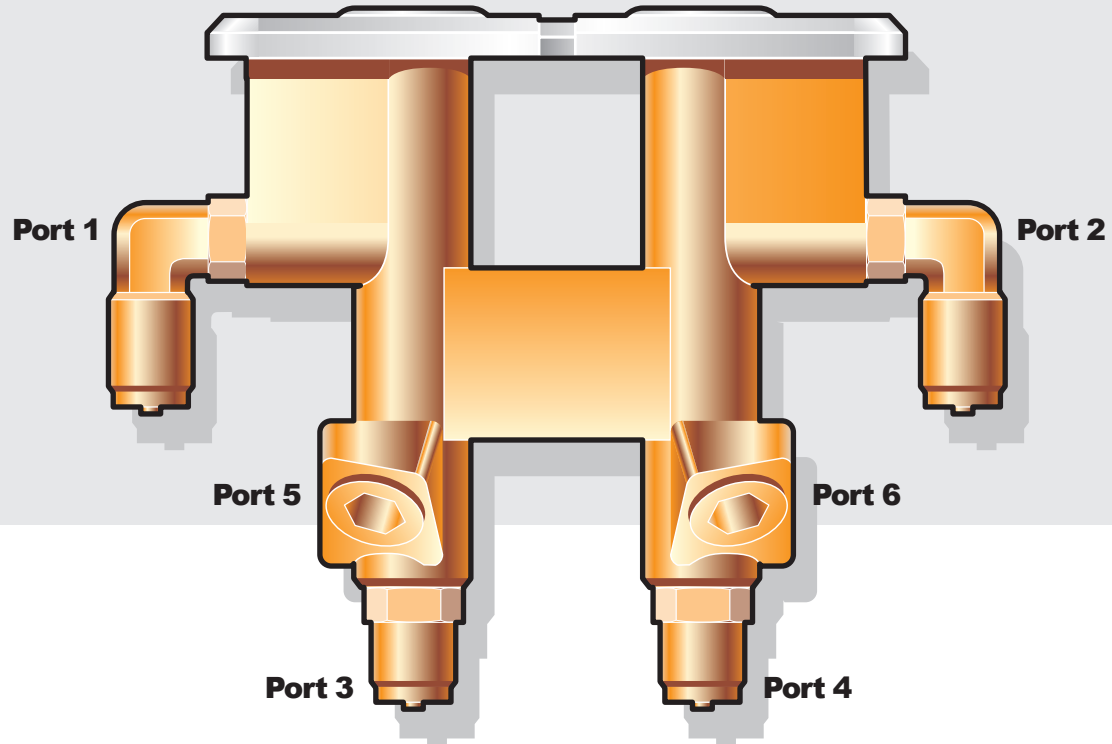
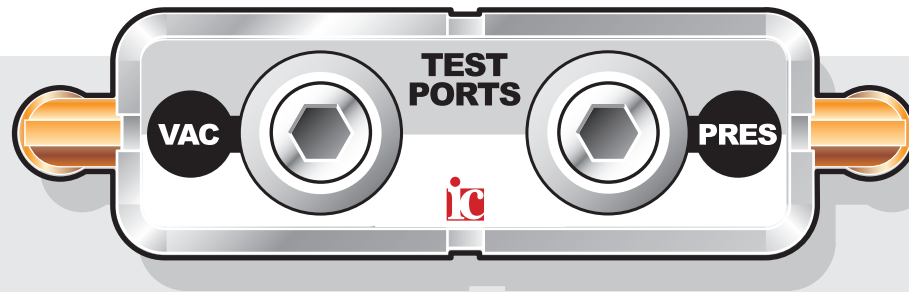
P/N 3070172



P/N 3070204

**Innovative Controls Inc
4 Port Test Gauge Manifold**

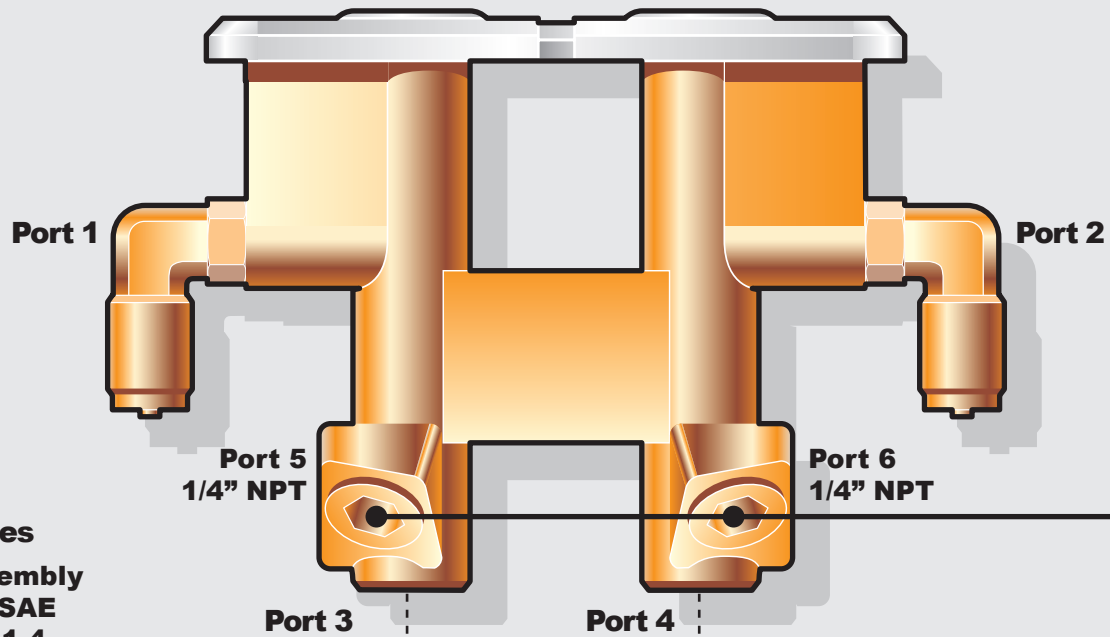
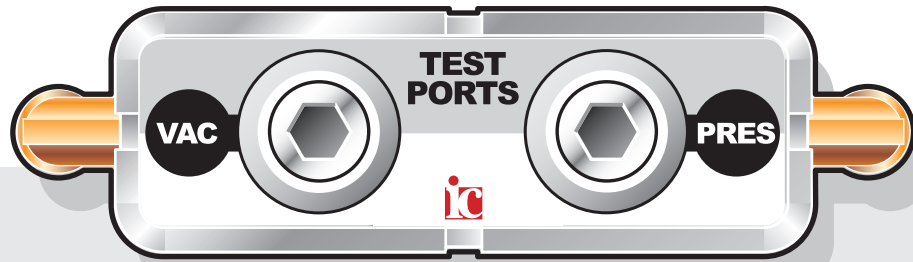




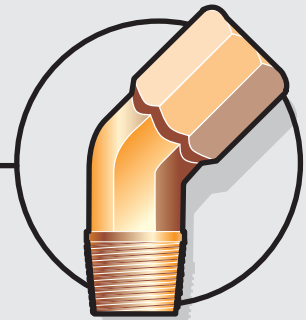
Horizontal Manifold with Two 90° Swivel and Two Straight Fittings

**Innovative Controls Inc
6 Port Test Gauge Manifold**



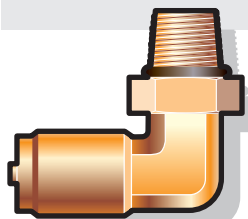


Optional 1/4" NPT
45o Elbow Fitting
for Pressure Transducers
(top mount panels)

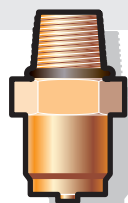


SAE Accessories

Customize assembly
with any style SAE
fitting in ports 1-4



P/N 30700168



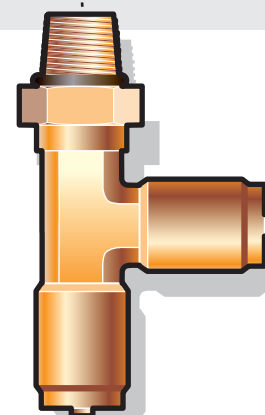
P/N 3070169



P/N 3070173



P/N 3070172



P/N 3070204

Innovative Controls Inc
6 Port Test Gauge Manifold

